

CHAPTER

74

IGNITION

CESSNA®
MODEL 208
ILLUSTRATED PARTS CATALOG

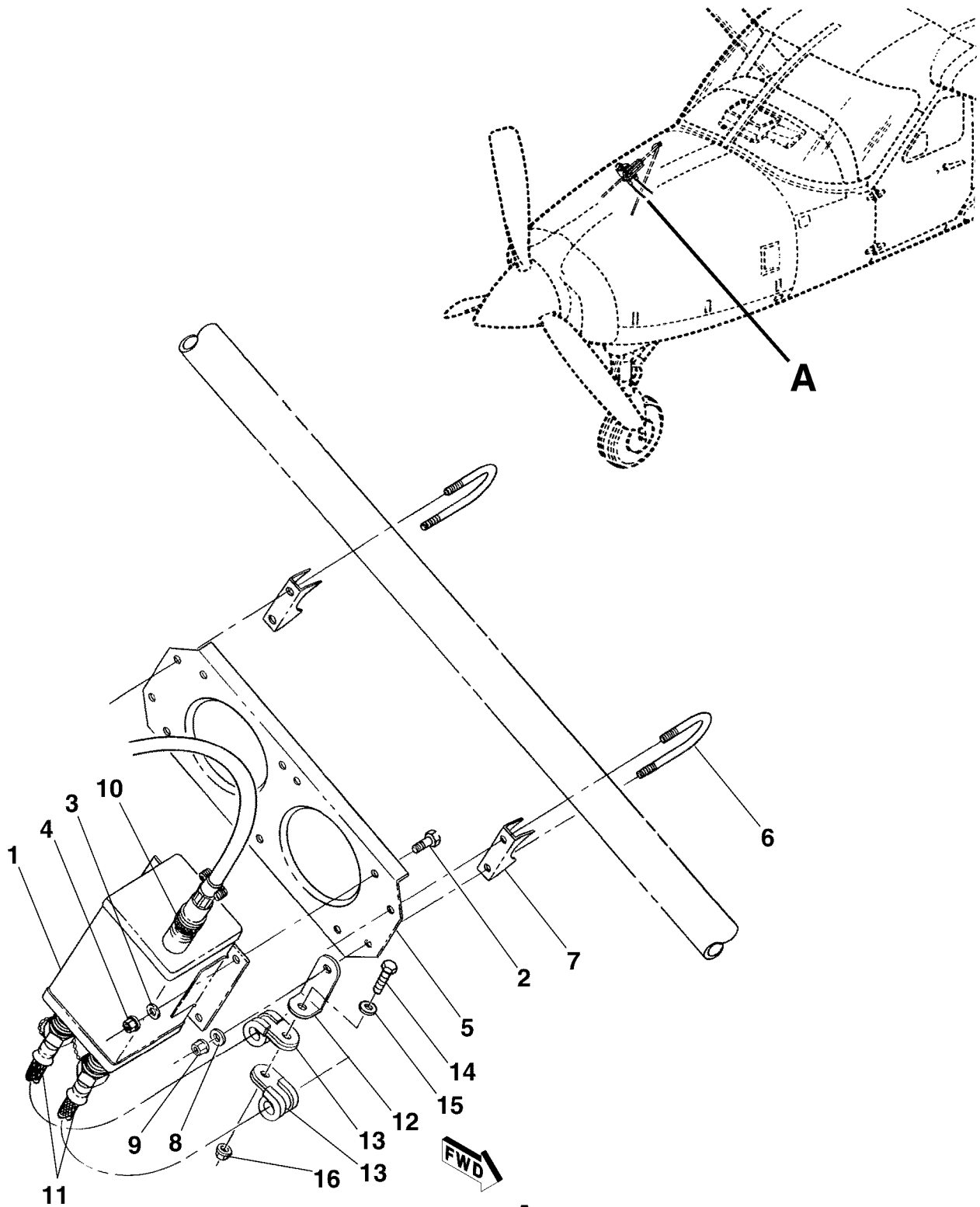
<u>CHAPTER SECTION SUBJECT</u>		<u>NUMBER OF PAGES</u>	<u>DATE</u>
74 - TITLE			
74 - LIST OF EFFECTIVE PAGES			
74 - RECORD OF TEMPORARY REVISIONS			
74 - TABLE OF CONTENTS			
74-10-00	Figure 01	2	Dec 1/2012

CESSNA®
MODEL 208
ILLUSTRATED PARTS CATALOG

<u>SUBJECT</u>	<u>CHAPTER SECTION SUBJECT</u>	<u>FIGURE</u>	<u>EFFECTIVITY START</u>	<u>END</u>
IGNITION EXCITER INSTALLATION	74-10-00	01		

CESSNA®
MODEL 208
ILLUSTRATED PARTS CATALOG

A24545



DETAIL A

IGNITION EXCITER INSTALLATION
FIGURE 01 (SHEET 1)

26581005
A26583002

**CESSNA®
MODEL 208
ILLUSTRATED PARTS CATALOG**

FIG ITEM	PART NUMBER	1 2 3 4 5 6 7	NOMENCLATURE	UNITS PER ASSY	
01			IGNITION EXCITER INSTALLATION		RF
-					
1	3014365R		. EXCITER ASSY-IGNITION REMANUFACTURED V00198	0001 B0001	& ON B4999
- 1A	CH92106-1		. EXCITER ASSY - IGNITION UN040 V00198	B5000	& ON
			ATTACHING PARTS		01 R
2	AN3-4A		. BOLT		04
3	NAS1149F0332P		. WASHER		04
4	MS21042L3		. NUT		04
			—*—		
5	2658009-4		. PLATE-IGNITION EXCITER MOUNTING		01
			ATTACHING PARTS		
6	2658009-2		. CLAMP		02
7	2658009-3		. CHANNEL		02
8	NAS1149F0332P		. WASHER		04
9	MS21042L3		. NUT		04
			—*—		
10	S2654-3		. CONNECTOR-IGNITION EXCITER		01
11			. CABLE ASSY-IGNITION EXCITER REFER TO NOTE 1		RF
12	2650026-5		. BRACKET		01
13	MS21919DG5		. CLAMP		02
			ATTACHING PARTS		
14	AN3-5A		. BOLT		01
15	NAS1149C0332R		. WASHER		01
16	MS21042L3		. NUT		01
			—*—		

NOTE 1—FOR PART NUMBER OF IGNITION EXCITER CABLE ASSEMBLIES, REFER TO PRATT AND WHITNEY